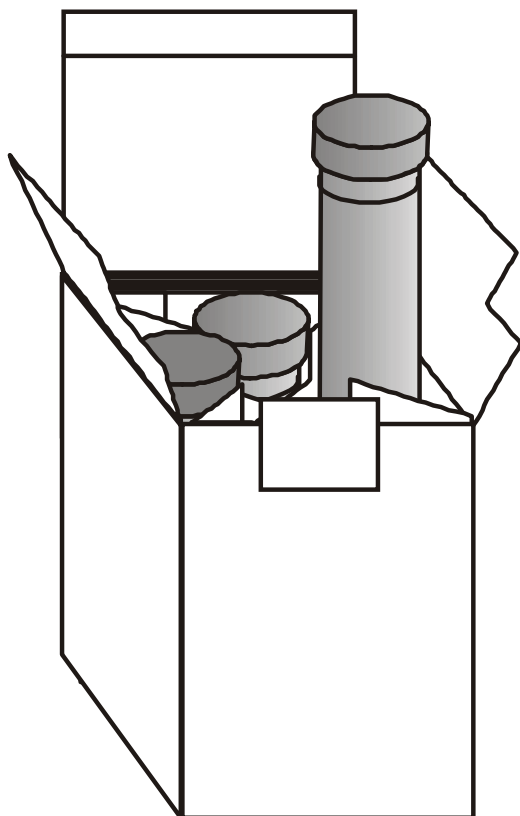


# POST-PAK

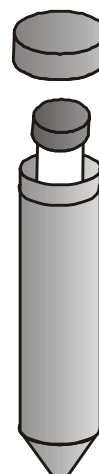
## SAMPLE MAILING CONTAINERS

### POST-PAK box



sample mailing box for 4 samples  
and for corresponding documentation  
tubes sold separately

## POST-PAK tube



protective test tube with screw cap,  
Ø 30 × 115 mm, 50 ml

## BIOHAZARD label

**open only in  
laboratory**



ref	product	note
9.01.1.1	POST-PAK box	for 4 samples
9.02.1.5	POST-PAK tubes	with screw cap
9.03.1.5	"BIOHAZARD" label	yellow, 35 × 37 mm